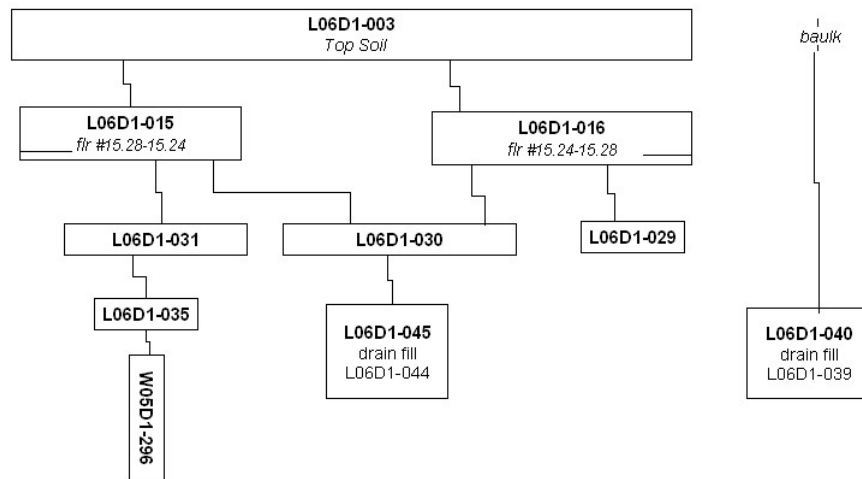


2006 season - Area D1 : Genealogies

AreaD1
 Season2006
 SupervisorEvan Elliott
 Supervisor Initials ...EBE
 Square(s)AU17



Relations:

Topsoil L06D1-003 covers entire square.

F06D1-015 and F06D1-016 are fragmentary portions of the roman pavement and are the same as F06D1-278, and are separated from each other by the robbed out drain of the road (L06D1-031)

Robber trench L06D1-035 robbed out the north wall of Monument B W05D1-296 down to rubble foundation.

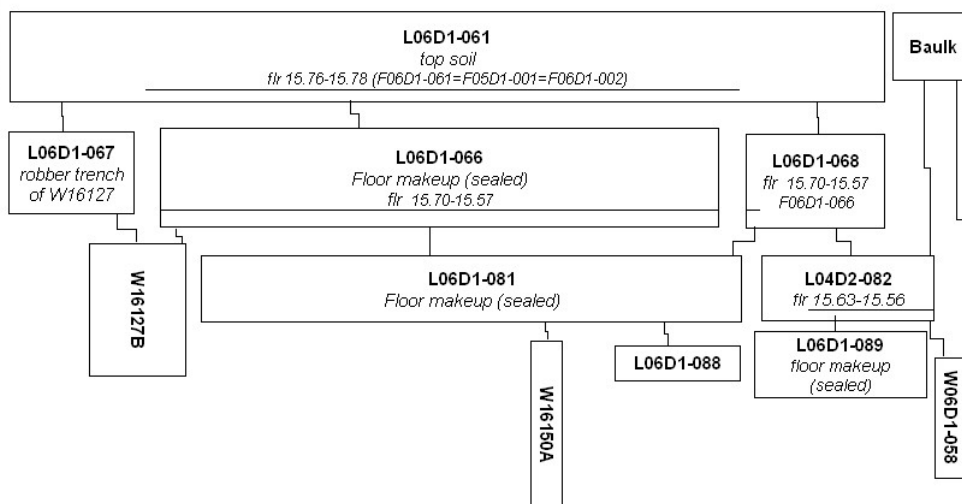
Drain L06D1-040 abuts Monument B W05D1-296 and the roman pavement F05D1-278, showing Monument B was in use at the same time as roman road. It contains drain fill L06D1-039.

Drain L06D1-045 abuts Monument B W05D1-296 and the roman pavement F05D1-278, showing Monument B was in use at the same time as roman road, and is cut by the robber trench of the central drain L06D1-031. It contains drain fill L06D1-044.

Comments

2006 season - Area D1 : Genealogies

AreaD1
 Season2006
 Supervisor ..Evan Elliott
 Supervisor Initials ..EBE
 Square(s)AS16



Relations:

Top soil L06D1-061 covers entire square.

F06D1-061 (=F05D1-001 and F06D1-002) covers most of square, sealing L06D1-066 and W16127B. Coverage is patchy on L06D1-068 (unsealed floor)

L06D1-067 is small robber trench of portion of "Beveled Wall" W16127B

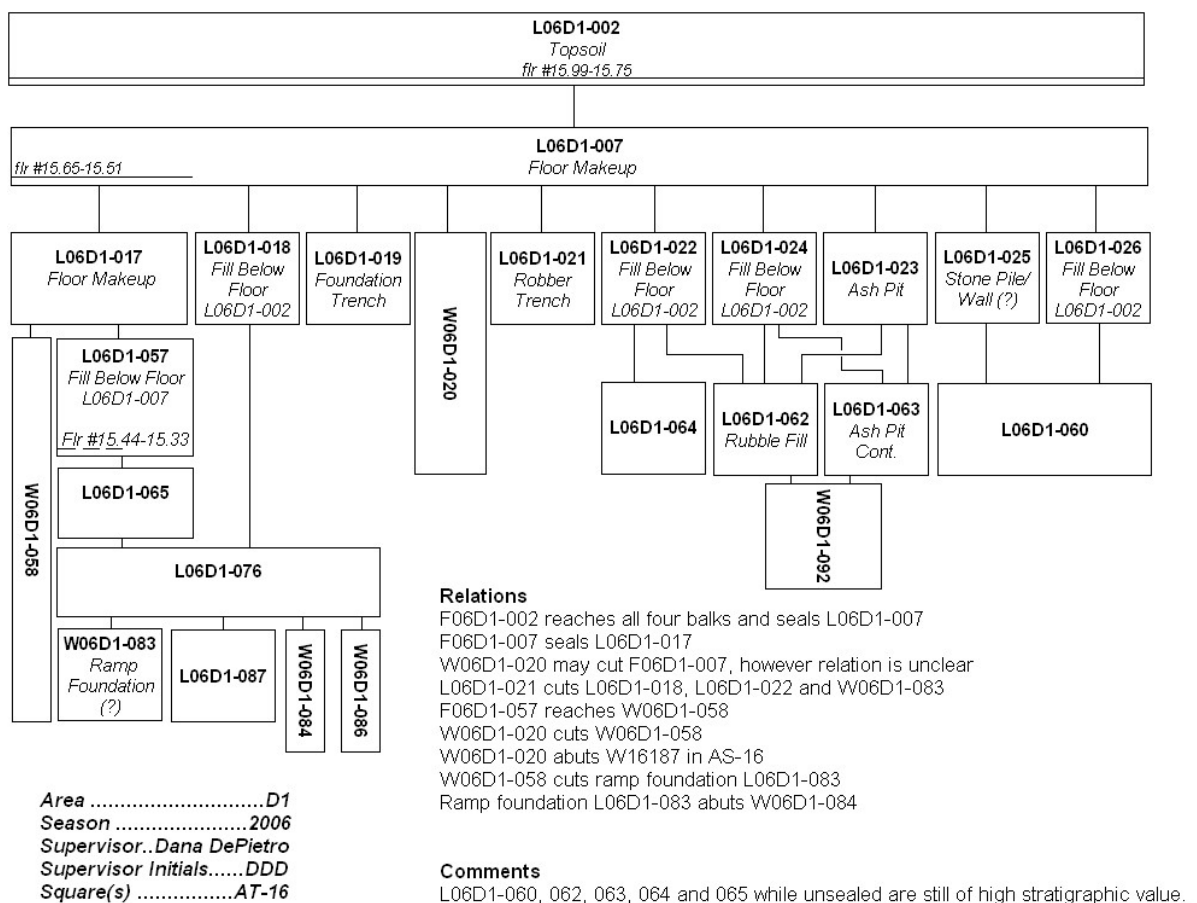
F06D1-066 (=F05D1-032) seals W16150A and L06D1-088 and reaches W16127B.

F06D1-082 has been suggested as a possible entrance, due to it reaching an ashlar in W06D1-058 with a posthole and part of the highest extant course of that wall.

F06D1-082 is cut by W06127B

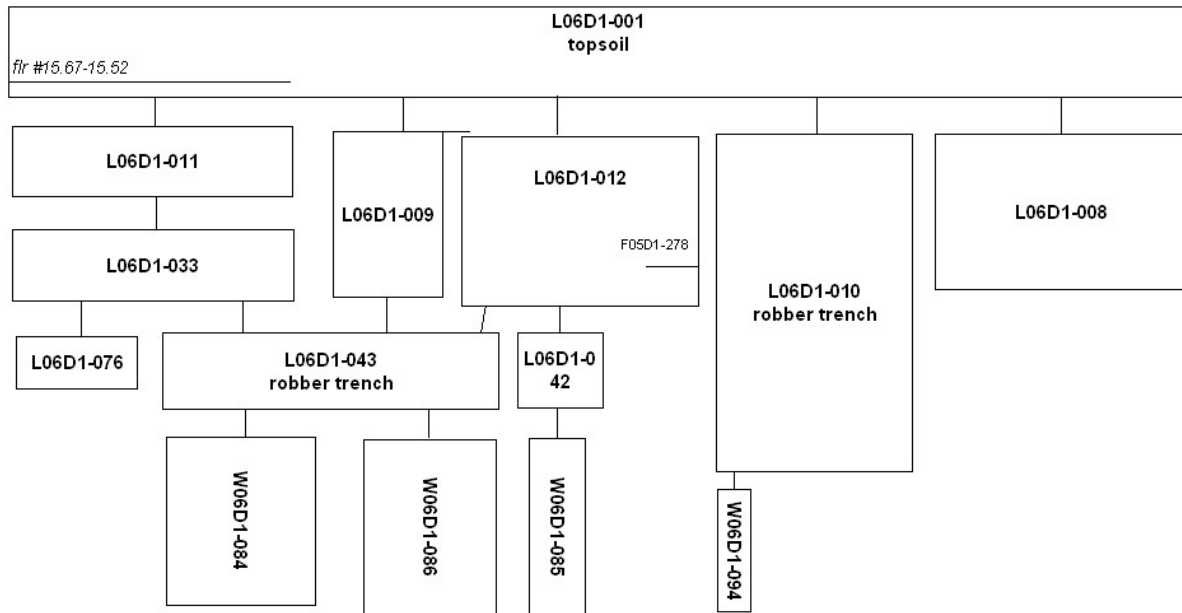
Comments:

2006 season - Area D1 : Genealogies



2006 season - Area D1 : Genealogies

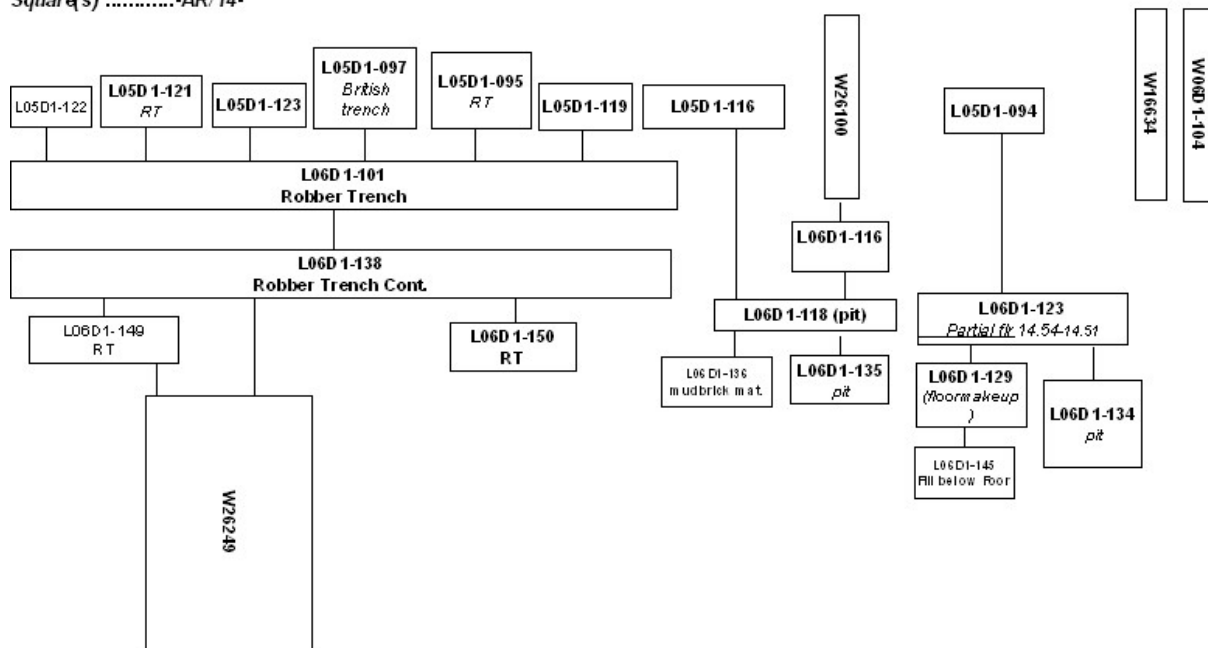
AreaD1
 Season2006
 Supervisor ...John Yelding-Sloan
 Supervisor Initials JY-S
 Square(s)AT/17



Relations: FL06D1-001 seals L06D1-011 and L06D1-033;
 robber trench L06D1-010 cuts L06D1-009, L06D1-012, L06D1-008, and L06D1-042.
 Robber trench L06D1-043 cuts L06D1-042 and L06D1-076.
 W06D1-086 abutts Monument B wall W06D1-084.
 Step W06D1-085 is abutted by Monument B wall W06D1-084.
Comments

2006 season - Area D1 : Genealogies

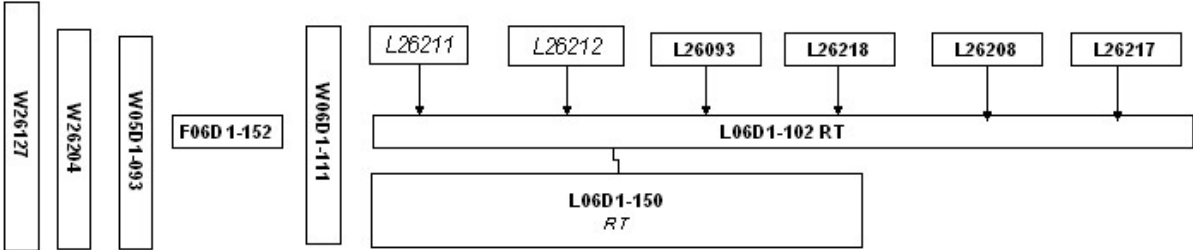
AreaD1 upper
 Season2006
 Supervisor ...Ryan Boehm
 Supervisor InitialsRAB
 Square(s)AR/14-



Comments: L 06D1-101, L06D1-102, L06D1-103 = RT 06D1-101
 Relations: RTs L05D1-095 and L05D1-121 cover RT L06D1-101.
 RT L06D1-101 cuts L06D1-121, L06D1-122, L06D1-146. L06D1-101 cuts L06D1-118, L06D1-123, L06D1-129, L06D1-135, and L06D1-136.
 L06D1-101 covers RT L06D1-138.
 L06D1-138 cuts W26249.
 Pits L06D1-118 and L06D1-123 are adjacent.
 Pit L06D1-118 covers pit L06D1-135.
 Pit L06D1-123 covers pit L06D1-134.
 Pit L06D1-134 cuts F06D1-123 and L06D1-129.
 Pits L06D1-134 and L06D1-135 are adjacent to one another.
 W06d1-104 is built against W16634

2006 season - Area D1 : Genealogies

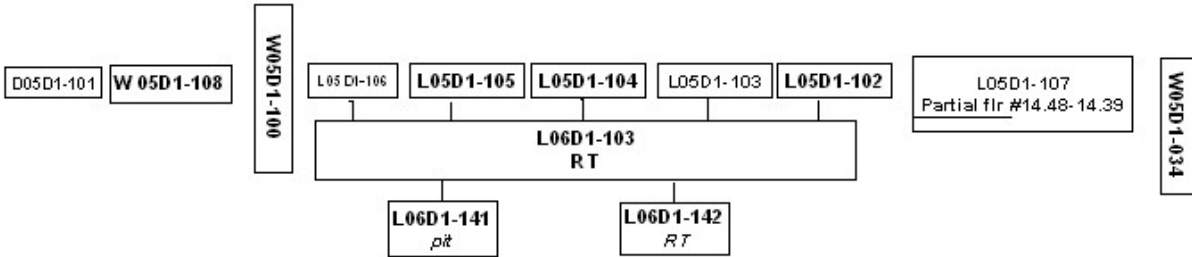
AreaD1-East
 Season2006
 SupervisorRyan Boehm
 Supervisor InitialsRAB
 Unit
 Square(s)AR-15



Relations: RT L06D1-102 covers RT L06D1-150. F06D1-152 reaches W05D1-093, W06D1-111, and W26204.
 Comments L 06D1-101, L06D1-102, L06D1-103 = RT 06D1-101

2006 season - Area D1 : Genealogies

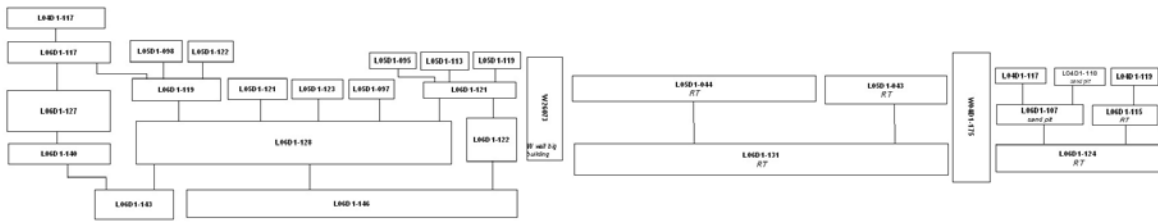
AreaD1 upper
 Season2006
 Supervisor ...Ryan Boehm
 Supervisor InitialsRAB
 Square(s)AR/16



Relations: RT L06D1-103 covers pit L06D1-141 and Rt L06D1-142.
 RT L06D1-103 cuts F05D1-107.
 Comments: L 06D1-101, L06D1-102, L06D1-103 = RT 06D1-101

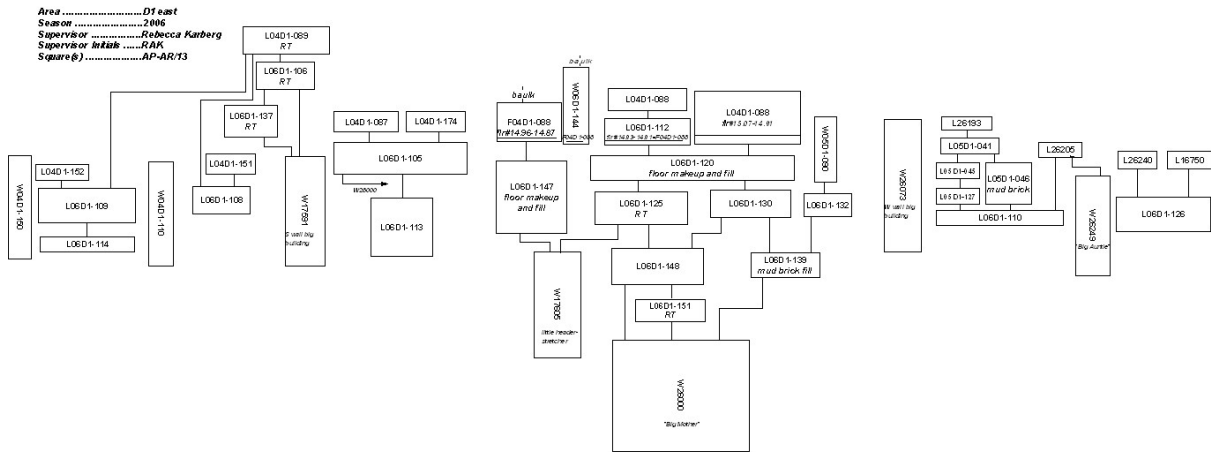
2006 season - Area D1 : Genealogies

AreaDT 6051
 Section2006
 SupervisorRebecca Karberg, Ryan Boehm
 Supervisor InitialsRJK, RAB
 Square(s)AD 16-15



Revisions: LAND-128 is cut on the W by RT74D1-101 and on the E by RT74D1-042. RT74D1-042=LOSD1-043, LOSD1-044, and LAND1-131. LAND1-124 is the northern extension of RT74D1-042. RT74D1-042 and its contributions cuts W26073
 Comments

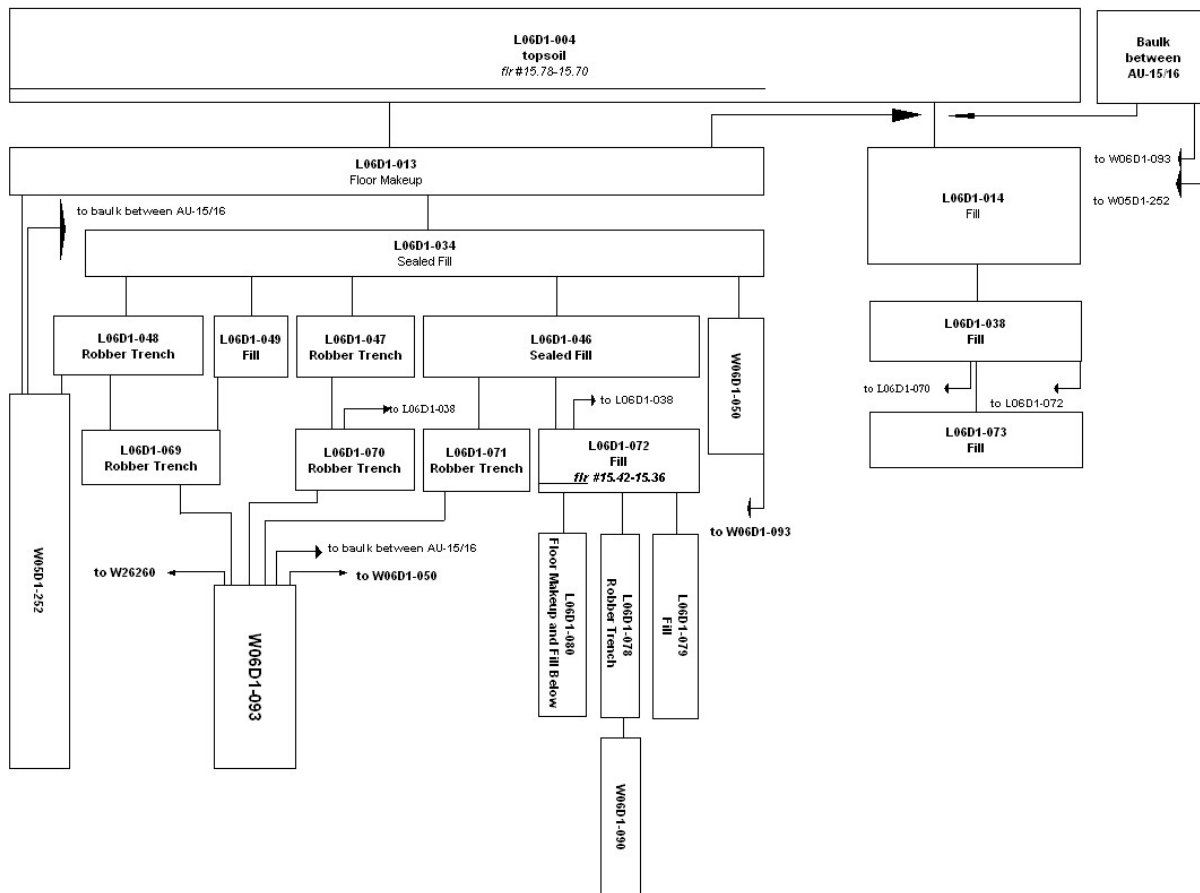
2006 season - Area D1 : Genealogies



comments: LOD1-106 covers the ne4 preserved course of W17591. W26073 cuts W17605 and W26000. F04D1-088 reaches W05D1-090, and is covered by W06D1-144. LOD1-125 covered the second course of W17605. W26000 is cut by robbing trench L06D-151, and by W17591.

2006 season - Area D1 : Genealogies

Area: D1
Season 2006
Supervisor: Ian Milliken
Supervisor Initials: IMM
Square: AU-16



Page 2 of 2: AU/16

Relations:

F06D1-004 seals L06D1-013.
L06D1-013 reaches W26260.
L06D1-013 covers W05D1-252.
L06D1-013 seals L06D1-034.
L06D1-034 seals L06D1-046.
L06D1-048 is a robber trench which cuts W05D1-252.
W06D1-050 dovetails with W26260.
W06D1-050 is cut by L06D1-047, and continues into AU/15.
L06D1-069 is a robber trench which cuts W05D1-252.
L06D1-070 is a robber trench which is probably contemporaneous with RT L06D1-071, and RT L06D1-069.
L06D1-070 cuts both L06D1-073, and L06D1-072.
F06D1-072 is cut by RT L06D1-078.
F06D1-072 seals L06D1-080.

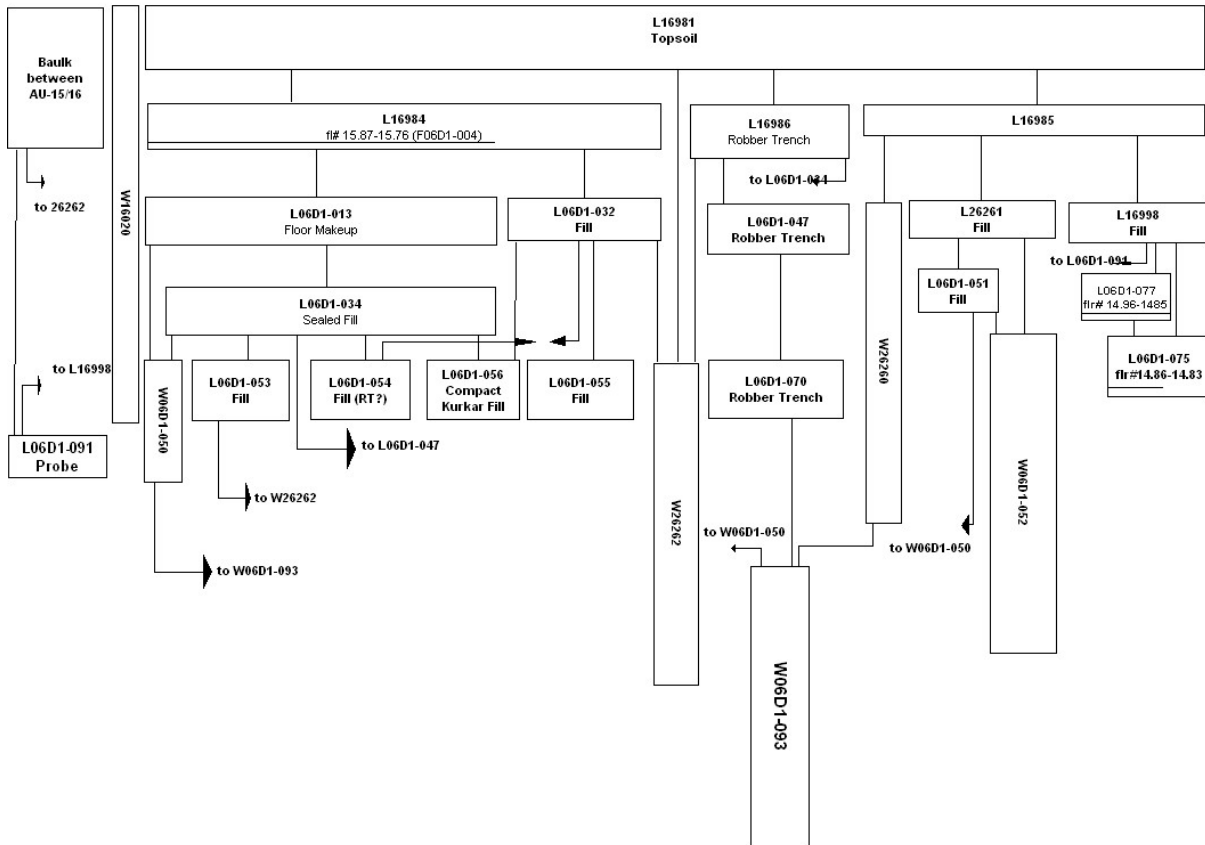
Comments:

F06D1-004 continues into AU/15, and equals F16984 (excavated 2000).
F06D1-004 is the latest floor in D1, and probably covered W26260, but no evidence was found.
W26260 (excavated 2000) continues into AU/15
W05D1-252 continues into AU/16.
L06D1-013 continues into AU/15.
L06D1-034 continues into AU/15.
L06D1-047 is a robber trench of W26262 in AU/15.
W06D1-050 continues into AU/15, ...
L06D1-069 and L06D1-071 are robber trenches of W05D1-252 which is cut by L06D1-070.
L06D1-070 continues into AU-15 and is a robber trench of W26262.
W06D1-090 probably reaches W05D1-252. Since W05D1-252 was robbed out (RT L06D1-069 & RT L06D1-071), no relation exists today.
W06D1-090 probably reaches W05D1-296 in AU/17, but the northern section, which lay beneath the northern baulk, is no longer present. It may have been robbed in L06D1-035 (AU/17).

v06D1-6035.jpg

2006 season - Area D1 : Genealogies

Area: D1
 Season: 2006
 Supervisor: Ian Milliken
 Supervisor Initials: IMM
 Square: AU-15



Page 2 of 2: AU/15

Relations:

W26262 cuts W16020
 W26260 abuts W16020
 W26260 covers W
 F16984, and F16803 (AV/15), both equal F06D1-004 (AU/16).
 F06D1-004 is the latest floor in the area and visibly covers the foundation of W26262. F06D1-004 may have covered W26262.
 F06D1-004 covers and seals L06D1-013.
 F06D1-004 is cut by RT L16986.
 L06D1-013 is the makeup of F06D1-004.
 L06D1-013 covers part of the foundation of W26262.
 L06D1-013 covers and seals L06D1-034.
 L06D1-013 incorporates the top of W06D1-050.
 L16986 cuts W26262.
 L06D1-047 is a robber trench which cuts W26262.
 L06D1-047 cuts W06D1-050.
 W06D1-050 dovetails with W26260.
 W06D1-050 covers W
 L06D1-051 covers foundation course of W06D1-052.
 W06D1-052 dovetails with W26260.
 W06D1-052 is cut by W26262.
 L06D1-070 is a robber trench which cuts W26262.

Comments:

Both F16984, and F16803 (AV/15) will henceforth be called F06D1-004.
 F06D1-004 continues into AU/16.
 F06D1-004 is the latest wall in D1, and may therefore have covered W16020, W26262, and W26260.
 W26260 continues into AV/16.
 L06D1-013 continues into AU/16.
 L06D1-034 continues into AU/16.
 L16986 dimensions expand into AU/16, and is called L06D1-047.
 L06D1-047 dimensions expand into AU/16, and is called L06D1-070.
 L06D1-054 may be a possible robber trench of W16198 entering from AV/15.
 L06D1-075 was a probe, which revealed the phantom floor F06D1-077, and F06D1-075, below. Both floors seem to continue into AT/15.

v06D1-6034.jpg