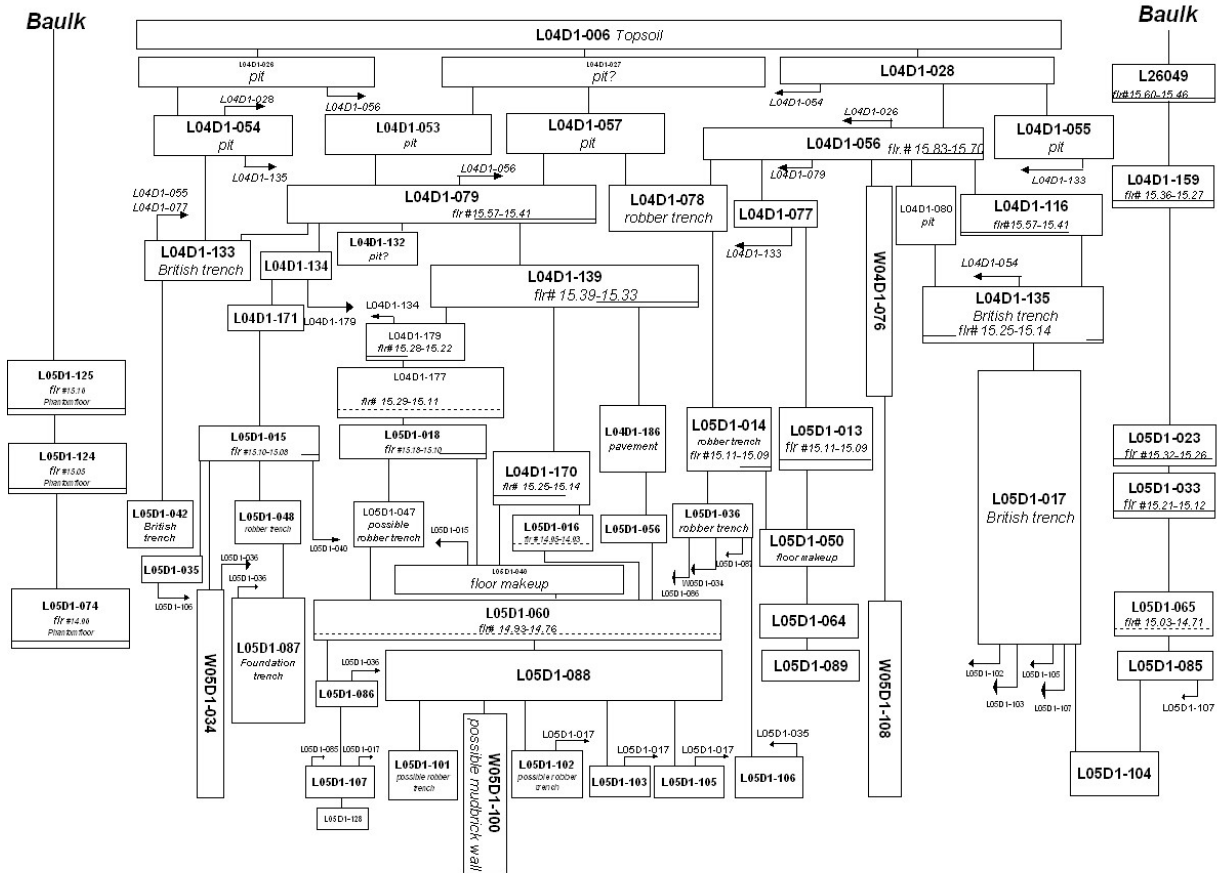


AreaD1
 Season2004, 2005
 SupervisorMelissa Thornton, Lauren Cannon
 Supervisor Initials ...MAT, LCC
 Square(s)AR/16



Relations: Relations: Pit L04D1-026 and possible pit L04D1-027 both cut L04D1-028. Possible pit L04D1-027 cuts pit L04D1-026 slightly, but this relation is not very clear. Pits L04D1-053, L04D1-054, L04D1-055 and L04D1-057 all cut L04D1-056.

F04D1-079=F026049 or they are two floors cut by British trench L04D1-135. L04D1-135 covered L05D1-017 which also cut L04D1-186, F04D1-170, F04D1-159, F05D1-023, F05D1-033 and F05D1-060 in 2005. Pits L04D1-080, L04D1-053 and L04D1-054 all cut pavement F04D1-056, which floats over F04D1-179.

W04D1-076 is cut by pit L04D1-055 and robber trenches L04D1-078, L04D1-133, L05D1-014 and L05D1-036. W04D1-076 cut F04D1-177, F04D1-170, F05D1-013 and possible robber trench L05D1-047. W04D1-076 covered W05D1-108 which then cut F05D1-064, F05D1-060 and British trench L05D1-042.

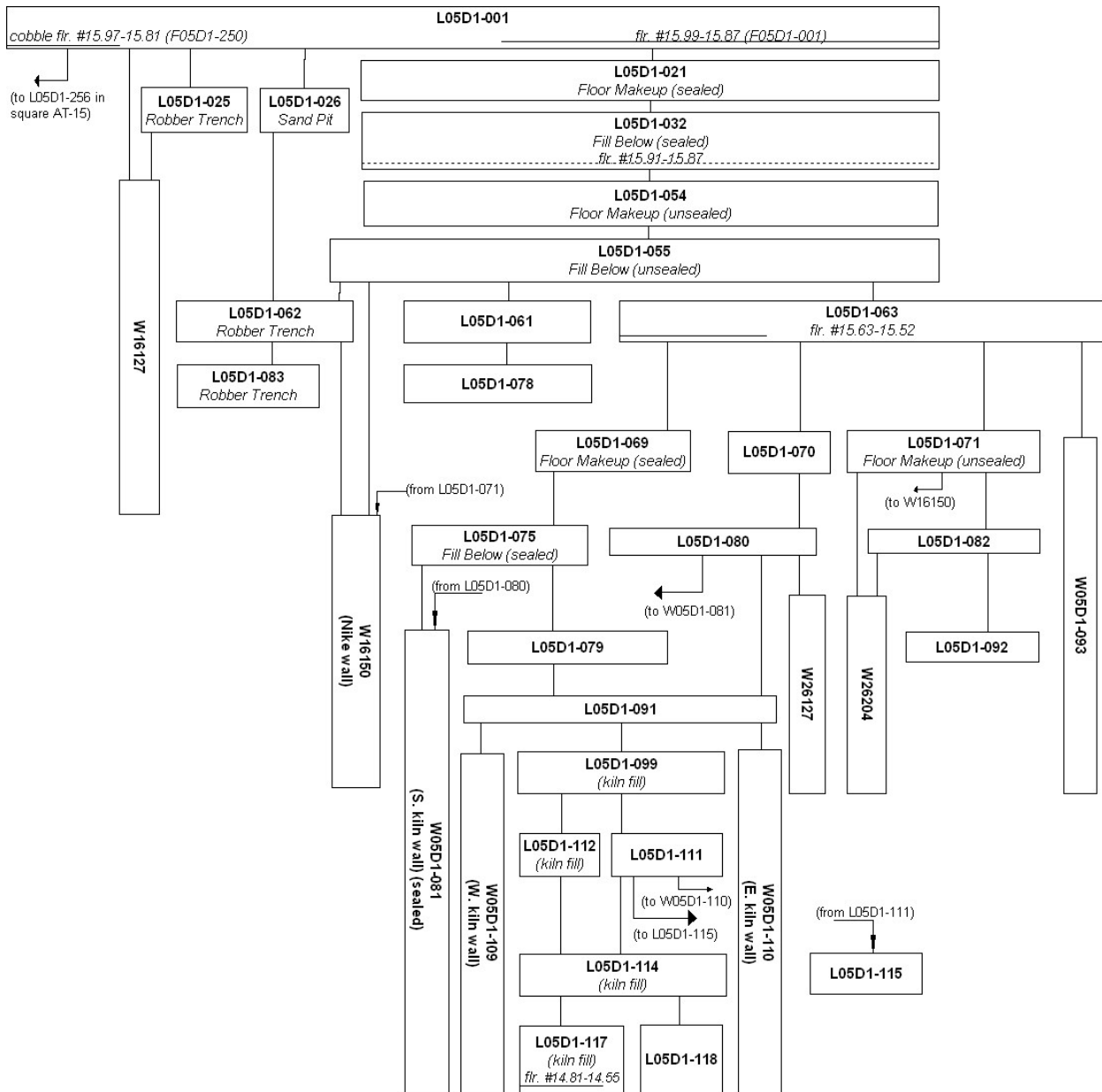
L04D1-133 is a British trench and covered L05D1-042. L04D1-133 and L05D1-042 cut F04D1-139, F04D1-079, W04D1-076, F04D1-177, F05D1-013, possible robber trench L05D1-047, pavement L04D1-186 and W05D1-108. L05D1-047 is the possible robber trench of L04D1-186, but it is unclear if L04D1-186 is pavement or a wall. Pit L04D1-132 cuts F04D1-079 and cut and partially covered possible pavement F04D1-139.

F04D1-170 continues under F04D1-139/L04D1-186, F04D1-177, and is the same floor as F05D1-033. F04D1-170 is cut by robber trenches L05D1-036, L05D1-048 and L05D1-017 along with W04D1-076. F04D1-170 did not reach W05D1-034 but covered the foundation trench L05D1-087. It is unclear if either F04D1-177 or F04D1-170 reached or was cut by possible pavement L04D1-186 or possible robber trench L05D1-047. F04D1-177, F04D1-170 and F05D1-060 were all cut by British trench L05D1-042 and appear to continue in the western baulk as phantom floors F05D1-125, F05D1-124 and F05D1-074.

L05D1-060 came down on F05D1-060, and F05D1-065 is probably the same floor as F05D1-060. F05D1-060 was cut by foundation trench L05D1-087 and W05D1-034 in the east. F05D1-060 was also cut by British trench L05D1-042, W05D1-108 and robber trench L05D1-017. F05D1-064 was cut by W05D1-108 and at a similar elevation to F05D1-060.

Comments: The floor in loci L04D1-079 and L04D1-116 are both F04D1-079. The lower floor in L04D1-177 is equal to the floor in loci L04D1-179 and is called F04D1-177. W05D1-034 is cut by robber trenches L05D1-036 and L05D1-048. The relation between W05D1-34 and F05D1-060 was unclear, see locus card L05D1-060 for the possible relations.

V05D1-1146



Area: D1
Season: 2005
Supervisor: Mont Allen
Initials: M.A.
Square(s): AS-14/15

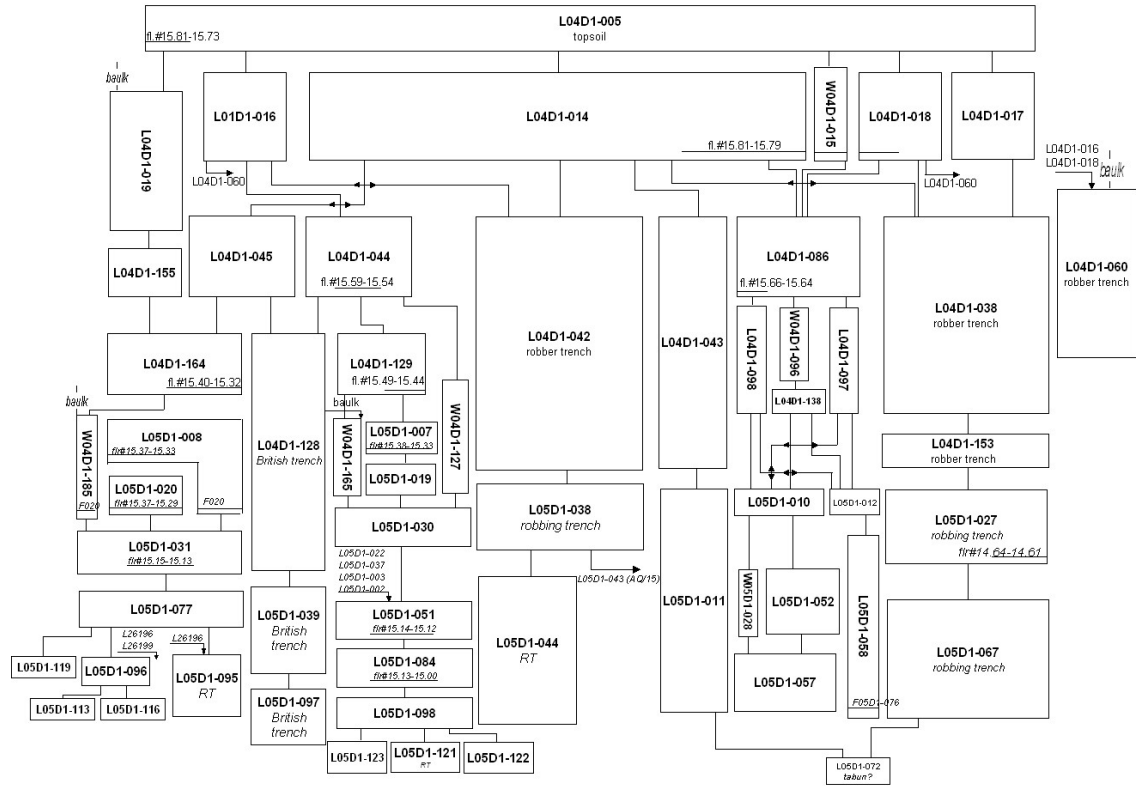
RELATIONS:
 L05D1-025 (robber trench) cuts F05D1-250 and topmost course (Stage A) of W16127.
 L05D1-026 (sand pit) cuts F05D1-001, L05D1-021, F05D1-032, L05D1-054, and L05D1-055.
 L05D1-062 (robber trench) cuts Stage A of W16150 (Nike wall), L05D1-061, F05D1-063, L05D1-069, L05D1-075.
 L05D1-070 cuts F05D1-063, L05D1-069, L05D1-075.
 L05D1-083 (robber trench) cuts Stage B of W16150 (Nike wall), L05D1-078, L05D1-079, W05D1-081, L05D1-091, L05D1-099, L05D1-111, L05D1-114, L05D1-118.
 L05D1-080 cuts L05D1-079, upper course of W05D1-081.

FLOOR RELATIONS:
 F05D1-001 = F26015 from AR-15 (excavated by Sarah Kamp in 2000).
 F05D1-250 reaches Stage A of W16127. (For further western relations of W16127, see genealogy and cards for Square AT-15.)
 F05D1-001 reaches Stage A of W16127.
 F05D1-032 reaches Stage A of W16127.
 F05D1-063 does not reach Nike wall W16150 (but could have reached both Stage A and B).
 F05D1-063 does not reach W05D1-093 (but could have).
 F05D1-117 reaches both W05D1-109 and W05D1-110.
 F05D1-117 does not reach W05D1-081 (but could have).

WALL to WALL RELATIONS:
 W26204 abuts Stage B of W16150 (Nike wall).
 W05D1-093 abuts both Stage A and B of W16150 (Nike wall).
 W05D1-093 and W26204 are built against each other.
 W05D1-081 is built against Stage B of W16150 (Nike wall).
 W05D1-109 abuts W05D1-081.
 W05D1-109 cuts Stage B of Nike wall W16150 (if the pile of stones in the middle of robber trench L05D1-083 is indeed part of W05D1-109).
 W05D1-110 abuts W05D1-081.
 W05D1-110 is built against W26127.
 W05D1-129 dovetails Stage B of W16127.
 W05D1-129 abuts Stage B of W16150 (Nike wall).

V05D1-1600

AreaD1
 Season2005
 SupervisorRebecca Karberg
 Supervisor InitialsRAK
 Square(s)AQ/14



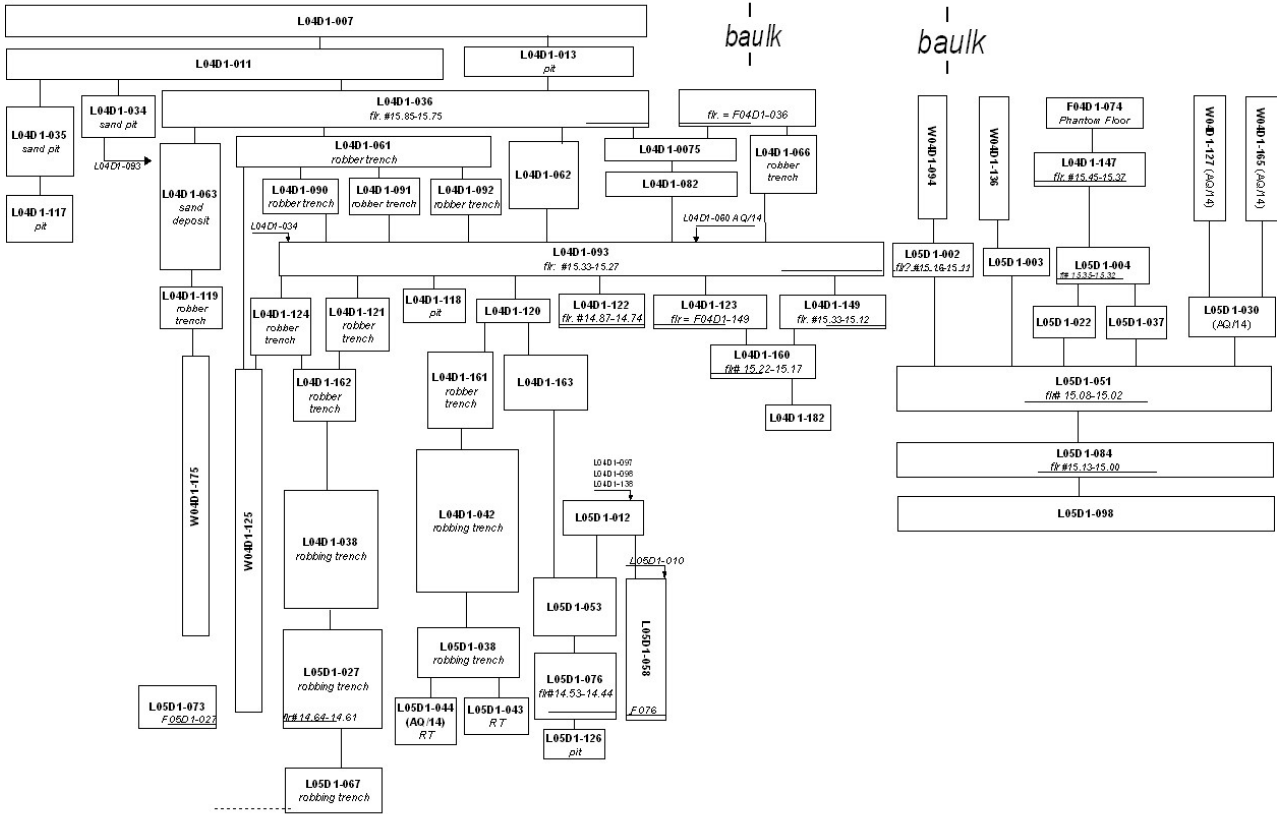
Relations: L04D1-014, L04D1-017, L04D1-018 and W04D1-015 cover F04D1-014. F04D1-014 covers L04D1-086. L04D1-086 covers F04D1-086. F04D1-086 covers and seals L04D1-038. F04D1-086 reaches W04D1-096. W04D1-096 covers and seals L04D1-138. L04D1-042 probably cuts L04D1-043, L04D1-044, and L04D1-045. L04D1-060 cuts F04D1-014, L04D1-038, F04D1-036 (AQ/15), L04D1-061 (AQ/15), and L04D1-042. L04D1-005 covers F04D1-005. F04D1-005 covers and seals L04D1-019. L04D1-044 covers F04D1-044. F04D1-044 covers and seals L04D1-129. L04D1-129 covers F04D1-129 and an as yet unnamed floor beneath it. F04D1-044 and F04D1-129 both probably reach W04D1-127, although since both floors stop before the wall face, the relation remains uncertain. F04D1-129 probably reaches W04D1-165. W04D1-165 dovetails with W04D1-129. L04D1-164 covers F04D1-164. F04D1-164 probably reaches W04D1-185.

2005 relations: L04D1-128 cuts F05D1-008 and F05D1-020. RT L04D1-042=L05D1-038=L05D1-043 and L05D1-044. This RT cuts a number of floor resurfacings, but the only true floors it cuts are F04D1-044, F04D1-129, F05D1-007. L05D1-058 covers the southern continuation of F05D1-076. W05D1-028 covers but does not seal L05D1-057.

Comments: W04D1-015 is associated with a phase 0 building; F04D1-014, L04D1-086, W04D1-096, L04D1-097 and L04D1-098 are associated with a large phase 1 building. F04D1-005 and pavement L04D1-019 might possibly be associated with phase 2. 2005: F05D1-031, F05D1-051, and F05D1-084 are patchy and fragmentary.

V05D1-1854

AreaD1.....
 Season2004-2005
 SupervisorJessica Nager; Rebecca Karberg
 Supervisor InitialsJLN; RAK
 Square(s)AQ15.....



Relations:

W04D1-125 and W04D1-175 are dovetailed, and pavement F04D1-149 and F04D1-162 reach W04D1-175. W04D1-175 is cut by robber trench L04D1-119. W04D1-125 is cut by robber trench W04D1-124 et al. (see comment below).

F04D1-160 reaches pavement F04D1-149.

F04D1-074 and F04D1-093 are both cut by robber trench L04D1-066. F04D1-074 covers W04D1-127. F04D1-147 reaches W04D1-127 and W04D1-136.

W04D1-094 is cut by pit L04D1-035. The relation between W04D1-094 and W04D1-136 is unclear. W04D1-136 is cut by sand pit L04D1-063.

2005 relations: F05D1-027 continues under W04D1-175.

L05D1-058 covers the southern continuation of F05D1-076. RT L05D1-067 cuts F05D1-076. Pit L05D1-126 cuts F05D1-076.

F05D1-004 covers but does not seal L05D1-037.

RT L04D1-042=L05D1-038=L05D1-043. This RT cuts a number of floor resurfacings, but the only true floor it cuts is F05D1-004.

Comments:

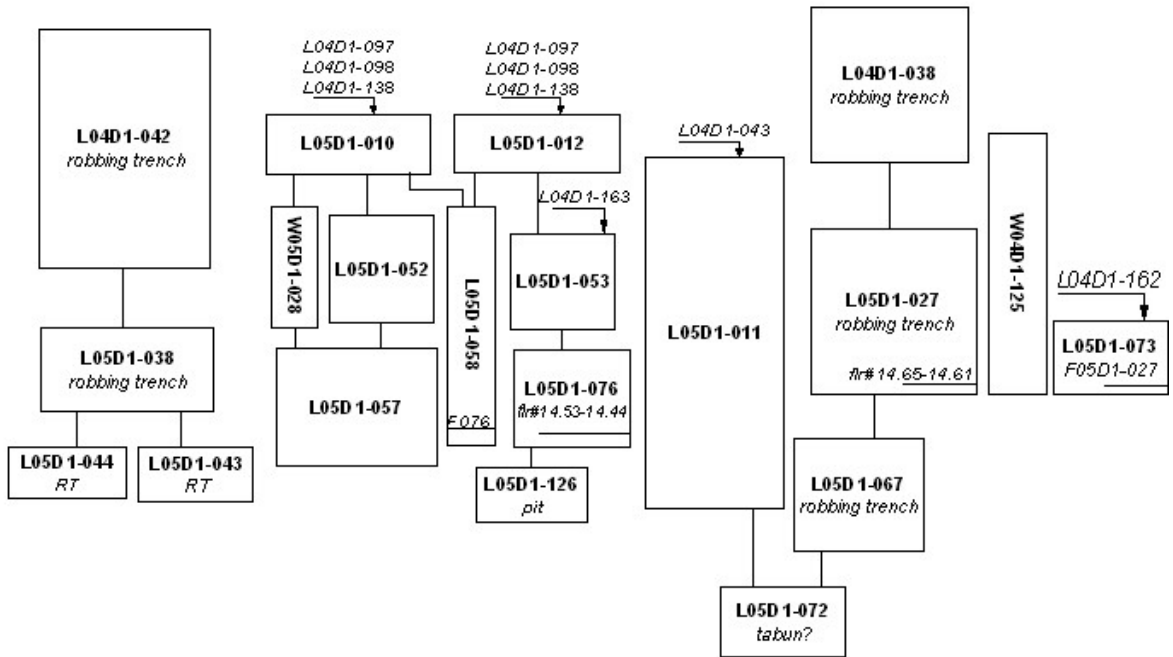
L04D1-061, L04D1-090, L04D1-091, L04D1-092, L04D1-121, L04D1-124, L04D1-162 = L04D1-038 (AQ/14), the large N-S robber trench robbing out W04D1-125. Thus part of L04D1-093 must have been part of this robber trench as well.

L04D1-066 and L04D1-161 = L04D1-042 (AQ/14), the large N-S robber trench robbing out W26073. Thus part of L04D1-093 and L04D1-120 must have been part of this as well, although it could not be observed at the time.

V05D1-1855

AreaD1 upper
 Season2005
 Supervisor .Rebecca Karberg
 Supervisor InitialsRAK
 Square(s)AQ/14-15

INSIDE BIG BUILDING



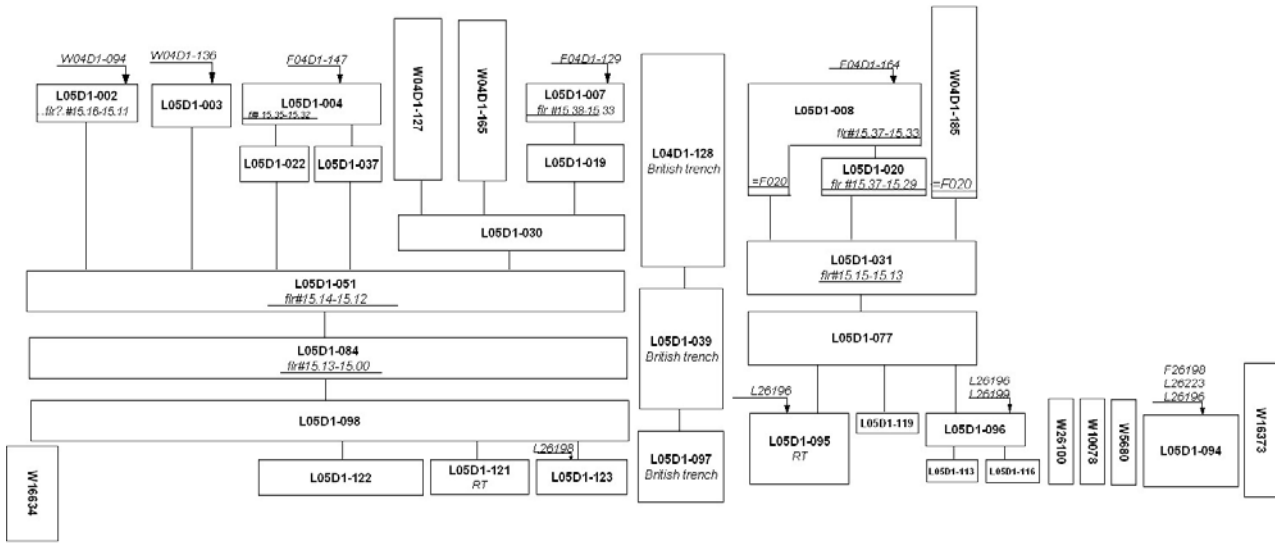
Relations: Robbing trench L04D1-042=L05D1-038=L05D1-043 and L05D1-044; robbing trench L04D1-038=L05D1-027=L05D1-067.
 W05D1-028 covers but does not seal L05D1-057.
 F05D1-027 continues under W04D1-125.
 RT L04D1-038=L05D1-027=L05D1-067; it cuts F05D1-076.
 P& L05D1-126 cuts F05D1-076.

Comments

V05D1-1856

AreaD1 upper
 Season2005
 Supervisor ...Rebecca Karberg
 Supervisor InitialsRAK
 Square(s)AQ-AR/14-15

OUTSIDE BIG BUILDING

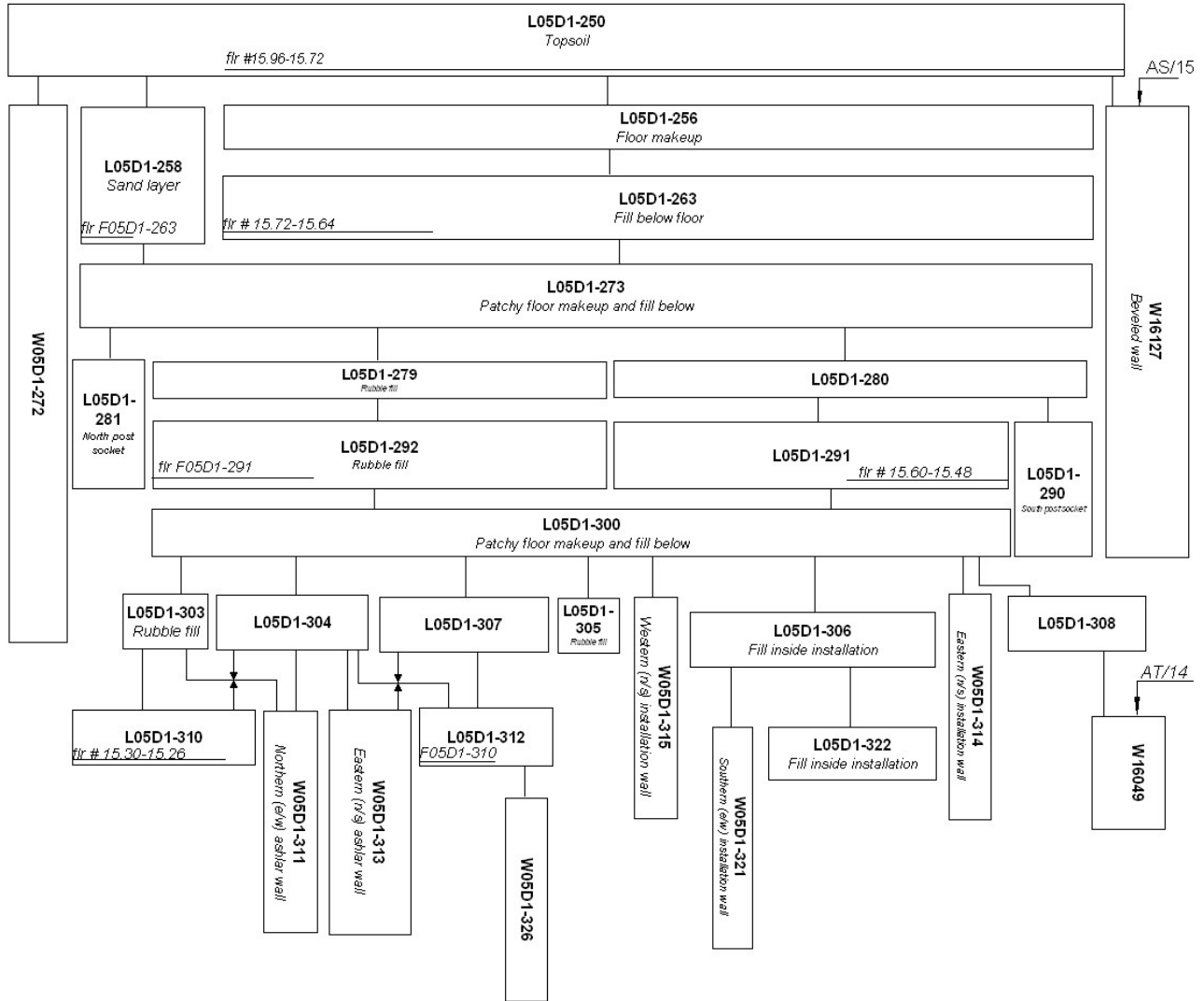


Relations: F05D1-004 covers L05D1-022
 F05D1-007 covers and seals L05D1-019
 F05D1-008 covers L05D1-020
 F05D1-020 covers and seals L05D1-031
 W04D1-186 also covers F05D1-020
 Fragmentary F05D1-031 covers but does not seal L05D1-077
 Fragmentary F05D1-051 covers but does not seal L05D1-084
 Fragmentary F05D1-084 covers but does not seal L05D1-098
 British trench L04D1-128=L05D1-039=L05D1-097, it cuts F05D1-007, F05D1-008, F05D1-020
 L05D1-095 cuts W26100
 RT L04D1-042=L05D1-038=L05D1-043 and L05D1-044, it cuts a number of floor resurfacings, but the only true floors it cuts are F05D1-004, F05D1-007 and F05D1-020.

Comments:

V05D1-1857

AreaD1.....
 Season2005
 Supervisor ...Erin Dintino.....
 Supervisor Initials .EKD.....
 Square(s) ..AS-AT/15.....



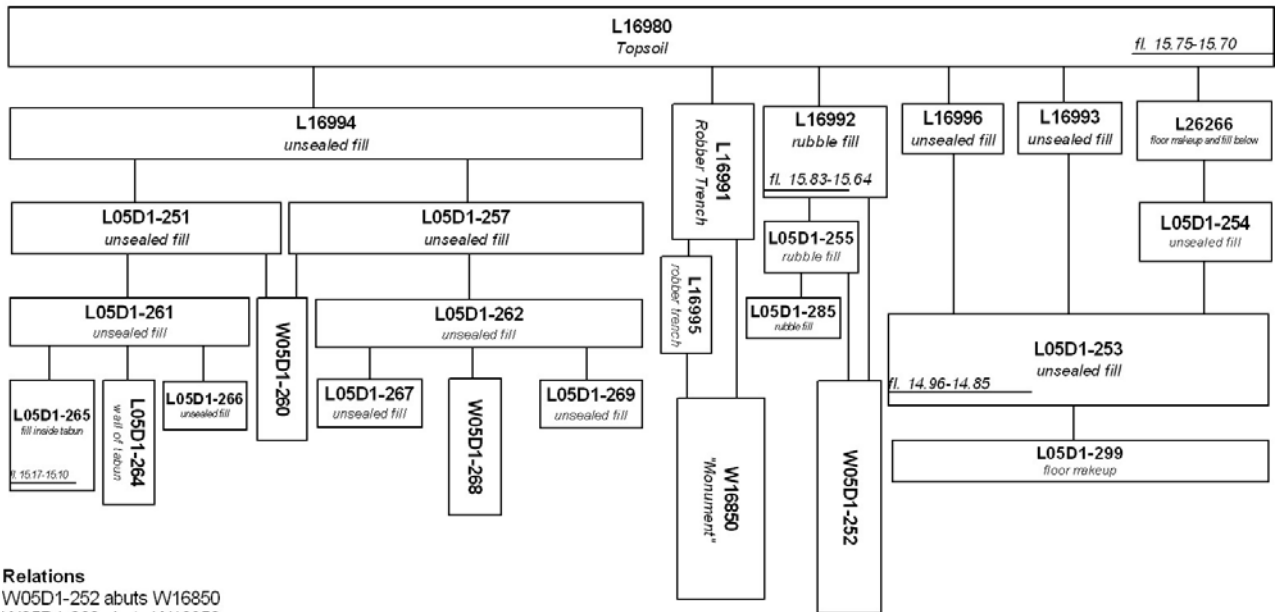
Relations

To the east, F05D1-250 reaches W16127 and covers its lowest course; F05D1-250 is cut by robber trench L05D1-025 (For relations on the eastern and northern sides of W16127, see genealogy for Square AS/15)
 To the west, F05D1-250 reaches W05D1-272 on the eastern and northern faces of the wall.
 To the south, F05D1-250 is cut by L05D1-258.
 To the west, F05D1-263 reaches W05D1-272 on the eastern and northern faces of the wall
 To the east, F05D1-263 probably reaches W16127, but the relations are unclear.
 To the east, F05D1-291 reaches W16127.
 To the south and east, L05D1-290 is reached by F05D1-291.
 To the east, F05D1-310 reaches W16127.
 To the south, F05D1-310 reaches W05D1-311.
 To the west, F05D1-310 reaches W05D1-313.
 W05D1-315 dovetails with W05D1-321.
 W05D1-315 covers part of W05D1-311.
 W05D1-314 dovetails with W05D1-321.
 W05D1-314 covers part of W05D1-311.
 W05D1-314 covers part of W05D1-313.
 W05D1-313 probably abuts W05D1-311, but the relations are unclear.
 Socket stone L05D1-281 floats above F05D1-310.
 Socket stone L05D1-290 floats above L05D1-308.

Comments

V05D1-2047

AreaD1.....
 Season2000 & 2005
 Supervisor ...Jeanine K & Erin Dintino.....
 Supervisor Initials .JBK & EKD.....
 Square(s) ..AV/16.....



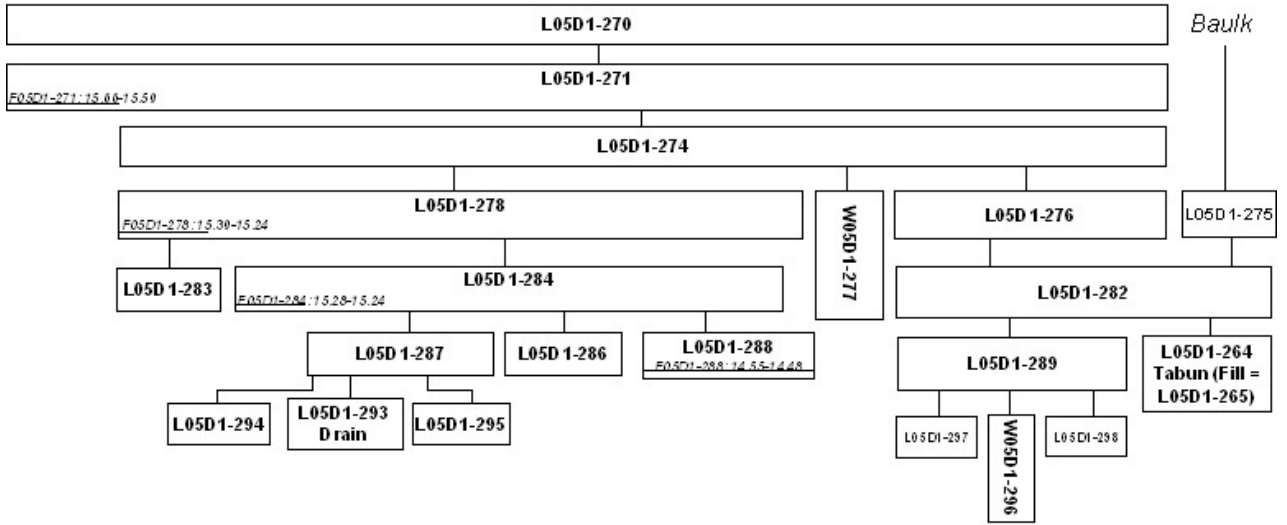
Relations

W05D1-252 abuts W16850
 W05D1-260 abuts W16850
 W05D1-268 cuts W16860
 F16980 did not appear to be a floor
 F16992 cuts F16980 and may reach W05D1-252, but the relations are unclear
 W05D1-301 abuts W16850
 W05D1-301 abuts W05D1-252
 F05D1-253 is cut by W16850 and W05D1-252
 F05D1-265 reaches interior of tabun W05D1-264.

Comments

V05D1-2048

AreaD1 Upper
 Season2005
 SupervisorBrendan Haug
 Supervisor InitialsB.JH
 Square(s)Western AV/17



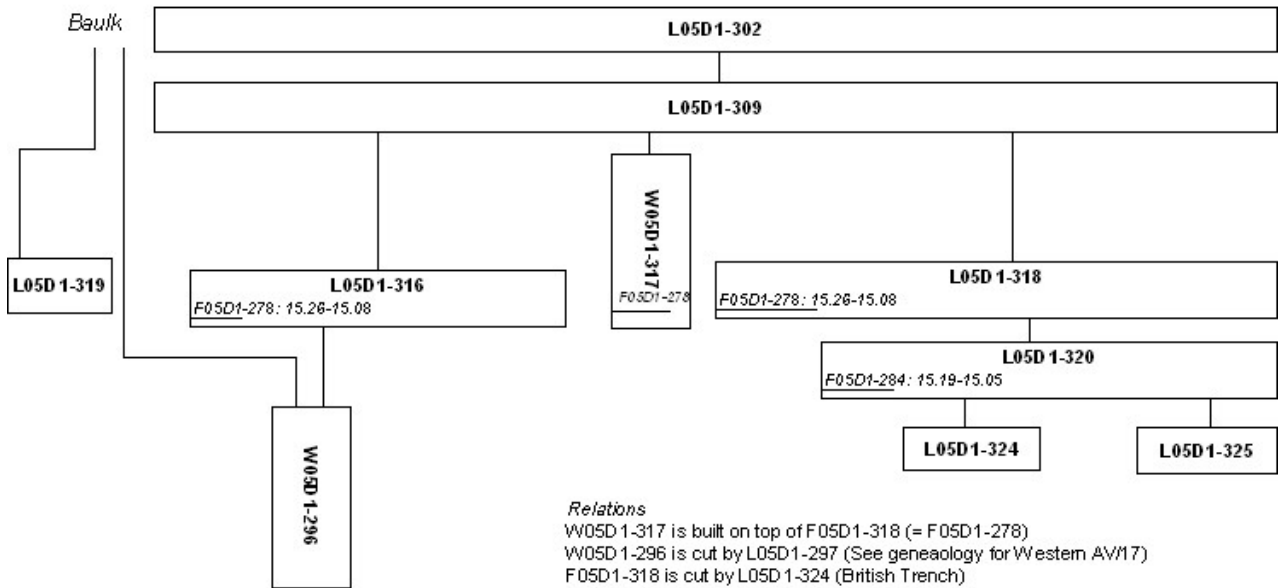
Relations

F05D1-284 = F05D1-278
 Floor Makeup L05D1-286 (paving stones) = Floor Makeup L05D1-283 (paving stones)
 L05D1-297 cuts W05D1-296
 F05D1-278 reaches W05D1-277

Comments

V05D1-2229

AreaD1 Upper
 Season2005
 SupervisorBrendan Haug
 Supervisor InitialsBJH
 Square(s)Eastern AV/17



Relations
 W05D1-317 is built on top of F05D1-318 (= F05D1-278)
 W05D1-296 is cut by L05D1-297 (See genealogy for Western AV/17)
 F05D1-318 is cut by L05D1-324 (British Trench)
 F05D1-284 = F05D1-278
 L05D1-324 = L05D1-280 (British Trench)

Comments

V05D1-2230